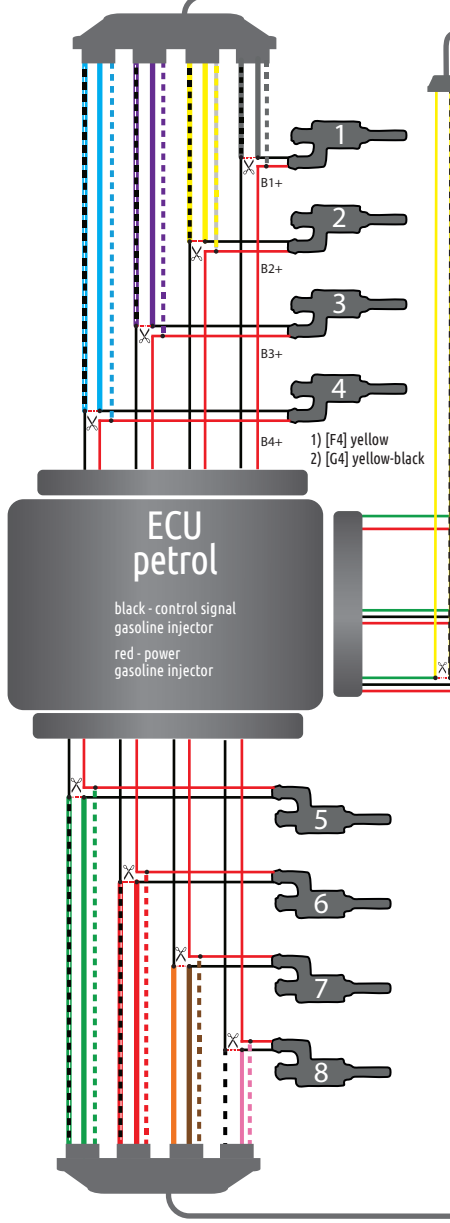
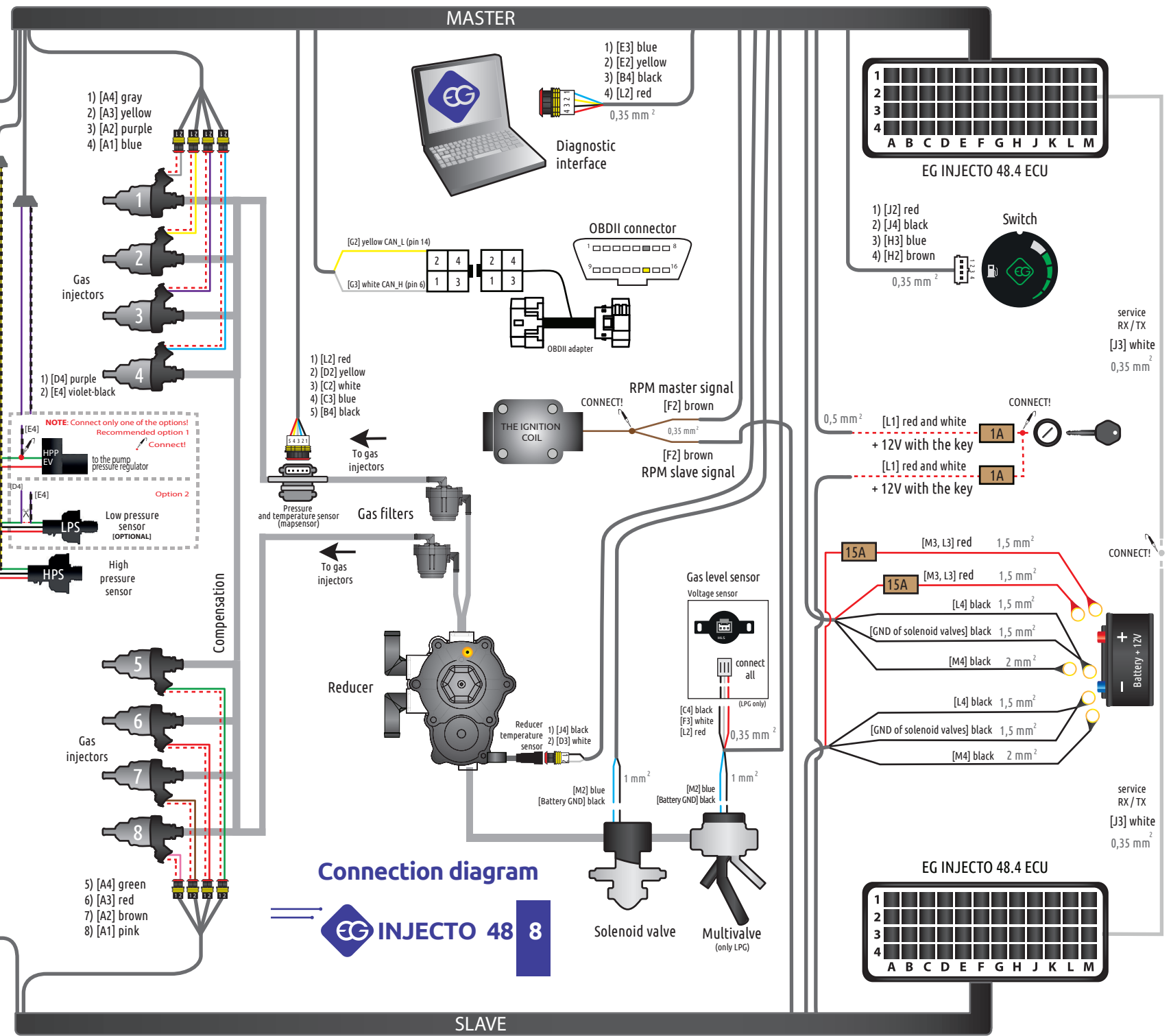


- ① 1) [G1] gray
2) [F1] gray-black
3) [E1] gray-white
- ② 1) [J1] yellow
2) [H1] yellow-black
3) [D1] yellow-white
- ③ 1) [K2] purple
2) [K1] purple-black
3) [C1] violet-white
- ④ 1) [K4] blue
2) [K3] blue-black
3) [B1] blue-white



- ⑤ 1) [G3] green
2) [F4] green-black
3) [E1] green-white
- ⑥ 1) [J1] red
2) [H2] red-black
3) [D1] red-white
- ⑦ 1) [K2] orange
2) [K1] brown
3) [C1] brown-white
- ⑧ 1) [K4] pink
2) [K3] black-white
3) [B1] pink-white



Connection diagram

EG INJECTO 48 8

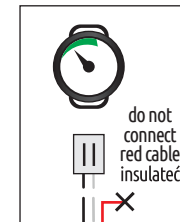
Master and slave driver EG INJECTO 48.4

| | | | | | | | |
|----|-------------------------------------|----|-------------------------------------|----|--------------------------------|----|-------------------------------------|
| A1 | GAS INJECTOR 4 | A2 | GAS INJECTOR 3 | A3 | GAS INJECTOR 2 | A4 | GAS INJECTOR 1 |
| B1 | GASOLINE INJECTOR 4 POWER SUPPLY | B2 | - | B3 | - | B4 | GND OF ** |
| C1 | GASOLINE INJECTOR 3 POWER SUPPLY | C2 | GAS ABSOLUTE PRESSURE | C3 | MAP (VACUUM) | C4 | GND GAS LEVEL SENSOR |
| D1 | GASOLINE INJECTOR 2 POWER SUPPLY | D2 | GAS TEMPERATURE | D3 | REDUCER TEMPERATURE | D4 | LOW PRESSURE SENSOR (ECU SIDE) |
| E1 | GASOLINE INJECTOR 1 POWER SUPPLY | E2 | DIAGNOSTIC INTERFACE RX | E3 | DIAGNOSTIC INTERFACE TX | E4 | LOW PRESSURE SENSOR (SENSOR SIDE) |
| F1 | GASOLINE INJECTOR 1 (ECU SIDE) | F2 | RPM | F3 | GAS LEVEL SENSOR | F4 | HIGH PRESSURE SENSOR (ECU SIDE) |
| G1 | GASOLINE INJECTOR 1 (INJECTOR SIDE) | G2 | OBD II CAN L-LINE | G3 | OBD II CAN H-LINE | G4 | HIGH PRESSURE SENSOR (SENSOR SIDE) |
| H1 | GASOLINE INJECTOR 2 (ECU SIDE) | H2 | BUTTON SWITCH | H3 | TX SWITCH | H4 | - |
| J1 | GASOLINE INJECTOR 2 (INJECTOR SIDE) | J2 | +5V OF POWER SWITCH | J3 | PROGRAMMABLE RX / TX CHANNEL | J4 | GND OF *** |
| K1 | GASOLINE INJECTOR 3 (ECU SIDE) | K2 | GASOLINE INJECTOR 3 (INJECTOR SIDE) | K3 | GASOLINE INJECTOR 4 (ECU SIDE) | K4 | GASOLINE INJECTOR 4 (INJECTOR SIDE) |
| L1 | + 12V AFTER THE KEY | L2 | + 12V OF* | L3 | + 12V BATTERY | L4 | GND BATTERY |
| M1 | + 12V GAS INJECTORS | M2 | + 12V OF SOLENOID VALVES | M3 | + 12V BATTERY | M4 | GND BATTERY |

* (INTERFACE, MAPSENSOR, GAS LEVEL INDICATION)
 ** (INTERFACE, MAPSENSOR)
 *** (REDUCER TEMPERATURE SENSOR AND SWITCH)

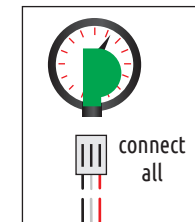
**Gas level sensor

Resistive sensor



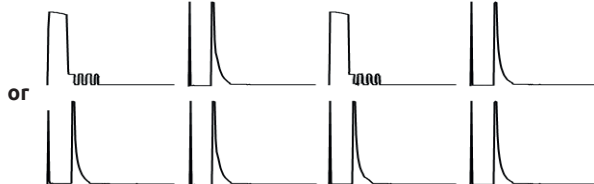
(LPG only)

Manometer

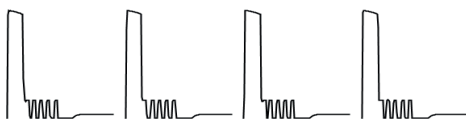


(CNG only)

Gasoline Injector Control Signal



B + Gasoline Injector Power Signal



www.europegas.pl

Technical support: +48 85 743 01 05